



Needle Valves

© 2022 MAGWELL. All rights reserved. The technical details & specifications are provided as such at the time of printing. Technical changes and omissions may happen later.



- Angled Body Type, Female - Female Connection
- SS 316/316L Bar stock construction
- Standard Working Pressure 6,000 PSI with PTFE packing.
- Optional 10,000, 15,000 & 20,000 PSI available on request
- Grafoil offered for higher temperatures.
- Standard NPT End Connections.
- Heat Code Traceability.
- NACE MR-01-75 Compliant materials available on request.
- 3.1 Certificates furnished.
- Vent Plugs or Bleed Valves provided on request.
- PMI certificates available on request.

#### Optional Materials Available :

SS 316L, Hastelloy C276, Monel

#### Temperature Rating :

PTFE 450°F (232°C) Grafoil 700°F (371°C)

**Body :** Normal Body Type

**Inlet :** MNPT

**Outlet :** FNPT

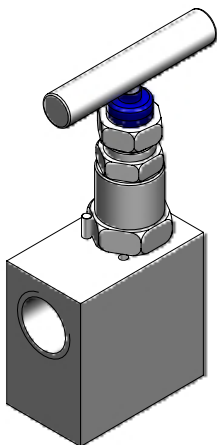
#### Bonnet Assembly :

Screwed Bonnet Design

Back Seat Blow Out proof

Spindle - Ground and thread rolled, packing below the threads

Spindle Tip - Non-Rotating tip shut-of type & soft Seated



Model Valve	Size Orifice	Dia in mm
MNV-AT-FF-1	1/4"	10
MNV-AT-FF-2	3/8"	10
MNV-AT-FF-3	1/2"	11
MNV-AT-FF-4	3/4"	16

\*For any other material / size combinations, please contact the sales department.

\*All specifications are subject to change without notice

\*All sales subject to standard terms and conditions.

#### Magwell LLC

537 Cajundome Boulevard, Suite 111

Lafayette LA 70506, USA

info@magwellus.com

(888) 624-9355





- Angled Body Type, Male - Female Connection
- SS 316/316L Bar stock construction
- Standard Working Pressure 6,000 PSI with PTFE packing.
- Optional 10,000, 15,000 & 20,000 PSI available on request
- Grafoil offered for higher temperatures.
- Standard NPT End Connections.
- Heat Code Traceability.
- NACE MR-01-75 Compliant materials available on request.
- 3.1 Certificates furnished.
- Vent Plugs or Bleed Valves provided on request.
- PMI certificates available on request.

**Optional Materials Available :**

SS 316L, Hastelloy C276, Monel

**Temperature Rating :**

PTFE 450°F (232°C) Grafoil 700°F (371°C)

**Body :** Normal Body Type

**Inlet :** MNPT

**Outlet :** FNPT

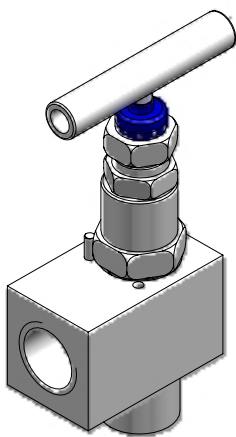
**Bonnet Assembly :**

Screwed Bonnet Design

Back Seat Blow Out proof

Spindle - Ground and thread rolled, packing below the threads

Spindle Tip - Non-Rotating tip shut-of type & soft Seated



Model	Valve Size	Orifice Dia in mm
MNV-AT-FF-1	1/4"	10
MNV-AT-FF-2	3/8"	10
MNV-AT-FF-3	1/2"	11
MNV-AT-FF-4	3/4"	16

\*For any other material / size combinations, please contact the sales department.  
 \*All specifications are subject to change without notice  
 \*All sales subject to standard terms and conditions.

- Hex Body Type, Female - Female Connection
- SS 316/316L Bar stock construction
- Standard Working Pressure 6,000 PSI with PTFE packing.
- Optional 10,000, 15,000 & 20,000 PSI available on request
- Grafoil offered for higher temperatures.
- Standard NPT End Connections.
- Heat Code Traceability.
- NACE MR-01-75 Compliant materials available on request.
- 3.1 Certificates furnished.
- PMI certificates available on request.

#### Optional Materials Available :

SS 316L, Hastelloy C276, Monel

#### Temperature Rating :

PTFE 450°F (232°C) Grafoil 700°F (371°C)

**Body :** Normal Body Type

**Inlet :** FNPT

**Outlet :** FNPT

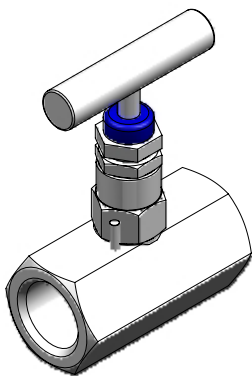
#### Bonnet Assembly :

Screwed Bonnet Design

Back Seat Blow Out proof

Spindle - Ground and thread rolled, packing below the threads

Spindle Tip - Non-Rotating tip shut-of type & soft Seated



\*For any other material / size combinations, please contact the sales department.

\*All specifications are subject to change without notice

\*All sales subject to standard terms and conditions.

#### Magwell LLC

537 Cajundome Boulevard, Suite 111

Lafayette LA 70506, USA

info@magwellus.com

(888) 624-9355



Gauge Valves

- Hex Body Type, Male - Female Connection
- SS 316/316L Bar stock construction
- Standard Working Pressure 6,000 PSI with PTFE packing.
- Optional 10,000, 15,000 & 20,000 PSI available on request
- Grafoil offered for higher temperatures.
- Standard NPT End Connections.
- Heat Code Traceability.
- NACE MR-01-75 Compliant materials available on request.
- 3.1 Certificates furnished.
- PMI certificates available on request.

**Optional Materials Available :**

SS 316L, Hastelloy C276, Monel

**Temperature Rating :**

PTFE 450°F (232°C) Grafoil 700°F (371°C)

**Body :** Normal Body Type

**Inlet :** MNPT

**Outlet :** FNPT

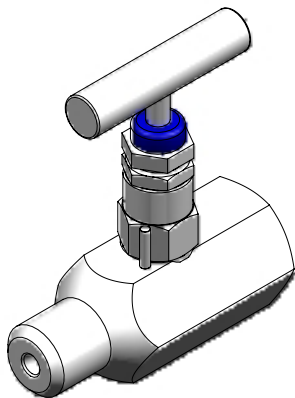
**Bonnet Assembly :**

Screwed Bonnet Design

Back Seat Blow Out proof

Spindle - Ground and thread rolled, packing below the threads

Spindle Tip - Non-Rotating tip shut-of type & soft Seated



\*For any other material / size combinations, please contact the sales department.

\*All specifications are subject to change without notice

\*All sales subject to standard terms and conditions.

**Magwell LLC**

537 Cajundome Boulevard, Suite 111

Lafayette LA 70506, USA

info@magwellus.com

(888) 624-9355





- Hex Body Type with Vent, Male - Female Connection
- SS 316/316L Bar stock construction
- Standard Working Pressure 6,000 PSI with PTFE packing.
- Optional 10,000, 15,000 & 20,000 PSI available on request
- Grafoil offered for higher temperatures.
- Standard NPT End Connections.
- Heat Code Traceability.
- NACE MR-01-75 Compliant materials available on request.
- 3.1 Certificates furnished.
- PMI certificates available on request

**Optional Materials Available :**

SS 316L, Hastelloy C276, Monel

**Temperature Rating :**

PTFE 450°F (232°C) Grafoil 700°F (371°C)

**Body :** Normal Body Type

**Inlet :** MNPT

**Outlet :** FNPT

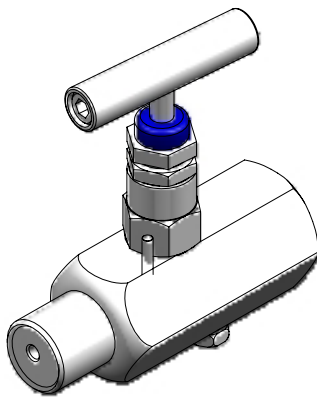
**Bonnet Assembly :**

Screwed Bonnet Design

Back Seat Blow Out proof

Spindle - Ground and thread rolled, packing below the threads

Spindle Tip - Non-Rotating tip shut-of type & soft Seated



\*For any other material / size combinations, please contact the sales department.

\*All specifications are subject to change without notice

\*All sales subject to standard terms and conditions.

**Magwell LLC**

537 Cajundome Boulevard, Suite 111

Lafayette LA 70506, USA

info@magwellus.com

(888) 624-9355



- Integral Bonnet Type, Female - Female Connection
- SS 316/316L Bar stock construction
- Standard Working Pressure 6,000 PSI with PTFE packing.
- Grafoil offered for higher temperatures.
- Standard NPT End Connections.
- Heat Code Traceability.
- NACE MR-01-75 Compliant materials available on request.
- 3.1 Certificates furnished.
- Vent Plugs or Bleed Valves provided on request.
- PMI certificates available on request

#### Optional Materials Available :

SS 316L, Hastelloy C276, Monel

#### Temperature Rating :

PTFE 450°F (232°C) Grafoil 700°F (371°C)

**Body :** Normal Body Type

**Inlet :** MNPT

**Outlet :** FNPT

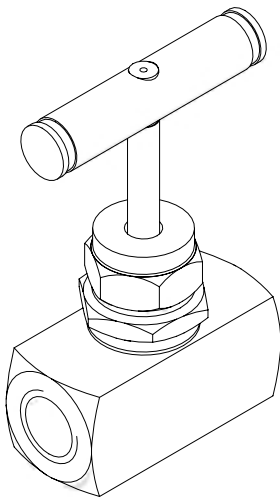
#### Bonnet Assembly :

Screwed Bonnet Design

Back Seat Blow Out proof

Spindle - Ground and thread rolled, packing below the threads

Spindle Tip - Non-Rotating tip shut-of type & soft Seated



Model	Valve Size	Orifice Dia in mm
MNV-IB-FF-1	1/4"	4
MNV-IB-FF-2	3/8"	4
MNV-IB-FF-3	1/2"	6
MNV-IB-FF-4	3/4"	6
MNV-IB-FF-5	1"	8

\*For any other material / size combinations, please contact the sales department.

\*All specifications are subject to change without notice

\*All sales subject to standard terms and conditions.

#### Magwell LLC

537 Cajundome Boulevard, Suite 111

Lafayette LA 70506, USA

info@magwellus.com

(888) 624-9355



- Integral Bonnet Type, Male - Female Connection
- SS 316/316L Bar stock construction
- Standard Working Pressure 6,000 PSI with PTFE packing.
- Optional 10,000, 15,000 & 20,000 PSI available on request
- Grafoil offered for higher temperatures.
- Standard NPT End Connections.
- Heat Code Traceability.
- NACE MR-01-75 Compliant materials available on request.
- 3.1 Certificates furnished.
- Vent Plugs or Bleed Valves provided on request.
- PMI certificates available on request.

#### Optional Materials Available :

SS 316L, Hastelloy C276, Monel

#### Temperature Rating :

PTFE 450°F (232°C) Grafoil 700°F (371°C)

**Body :** Normal Body Type

**Inlet :** MNPT

**Outlet :** FNPT

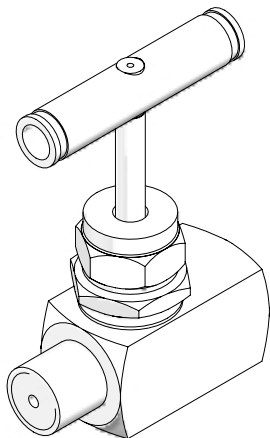
#### Bonnet Assembly :

Screwed Bonnet Design

Back Seat Blow Out proof

Spindle - Ground and thread rolled, packing below the threads

Spindle Tip - Non-Rotating tip shut-of type & soft Seated



Model	Valve Size	Orifice Dia in mm
MNV-IB-MF-1	1/4"	4
MNV-IB-MF-2	3/8"	4
MNV-IB-MF-3	1/2"	6
MNV-IB-MF-4	3/4"	6
MNV-IB-MF-5	1"	8

\*For any other material / size combinations, please contact the sales department.

\*All specifications are subject to change without notice

\*All sales subject to standard terms and conditions.

#### Magwell LLC

537 Cajundome Boulevard, Suite 111

Lafayette LA 70506, USA

info@magwellus.com

(888) 624-9355





- **Integral Bonnet Tube OD Type**
- SS 316/316L Bar stock construction
- Standard Working Pressure 6,000 PSI with PTFE packing.
- 1/2" Tube OD
- Grafoil offered for higher temperatures.
- Standard NPT End Connections.
- Heat Code Traceability.
- NACE MR-01-75 Compliant materials available on request.
- 3.1 Certificates furnished.
- Vent Plugs or Bleed Valves provided on request.
- PMI certificates available on request.

**Optional Materials Available :**

SS 316L, Hastelloy C276, Monel

**Temperature Rating :**

PTFE 450°F (232°C) Grafoil 700°F (371°C)

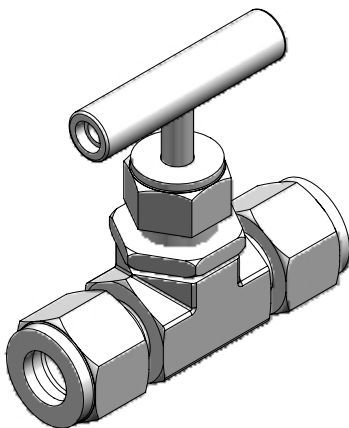
**Body :** Normal Body Type**Inlet :** MNPT**Outlet :** FNPT**Bonnet Assembly :**

Screwed Bonnet Design

Back Seat Blow Out proof

Spindle - Ground and thread rolled, packing below the threads

Spindle Tip - Non-Rotating tip shut-of type &amp; soft Seated



\*For any other material / size combinations, please contact the sales department.  
\*All specifications are subject to change without notice  
\*All sales subject to standard terms and conditions.

**Magwell LLC**

537 Cajundome Boulevard, Suite 111  
Lafayette LA 70506, USA  
info@magwellus.com  
(888) 624-9355





- Mini Valve Type, Female - Female Connection
- SS 316/316L Bar stock construction
- Standard Working Pressure 6,000 PSI with PTFE packing.
- Standard End Connections 1/4".
- Grafoil offered for higher temperatures.
- Standard NPT End Connections.
- Heat Code Traceability.
- NACE MR-01-75 Compliant materials available on request.
- 3.1 Certificates furnished.
- Vent Plugs or Bleed Valves provided on request.
- PMI certificates available on request

**Optional Materials Available :**

SS 316L, Hastelloy C276, Monel

**Temperature Rating :**

PTFE 450°F (232°C) Grafoil 700°F (371°C)

**Body :** Normal Body Type

**Inlet :** MNPT

**Outlet :** FNPT

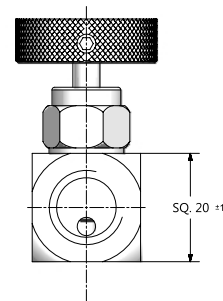
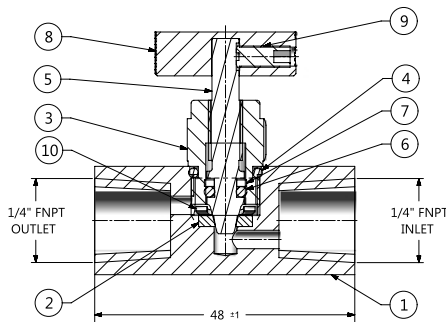
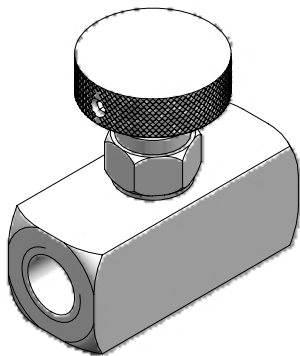
**Bonnet Assembly :**

Screwed Bonnet Design

Back Seat Blow Out proof

Spindle - Ground and thread rolled, packing below the threads

Spindle Tip - Non-Rotating tip shut-of type & soft Seated



\*For any other material / size combinations, please contact the sales department.  
 \*All specifications are subject to change without notice  
 \*All sales subject to standard terms and conditions.

**Magwell LLC**

537 Cajundome Boulevard, Suite 111  
 Lafayette LA 70506, USA  
 info@magwellus.com  
 (888) 624-9355





- Mini Valve Type, Male - Female Connection
- SS 316/316L Bar stock construction
- Standard Working Pressure 6,000 PSI with PTFE packing.
- Standard End Connections 1/4".
- Grafoil offered for higher temperatures.
- Standard NPT End Connections.
- Heat Code Traceability.
- NACE MR-01-75 Compliant materials available on request.
- 3.1 Certificates furnished.
- Vent Plugs or Bleed Valves provided on request.
- PMI certificates available on request.

**Optional Materials Available :**

SS 316L, Hastelloy C276, Monel

**Temperature Rating :**

PTFE 450°F (232°C) Grafoil 700°F (371°C)

**Body :** Normal Body Type

**Inlet :** MNPT

**Outlet :** FNPT

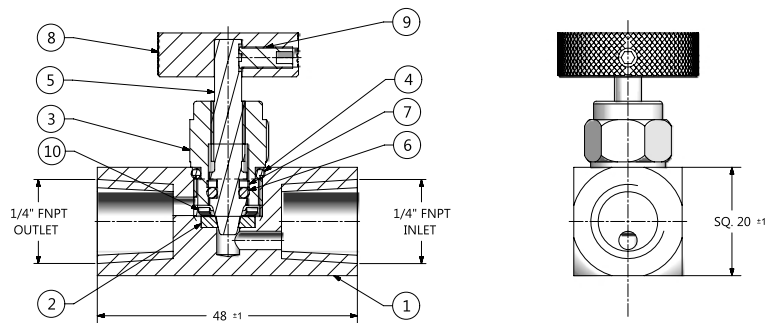
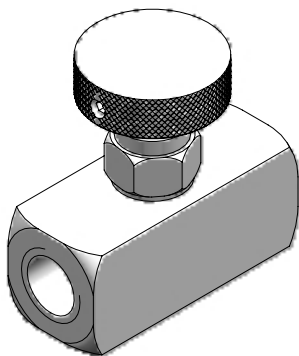
**Bonnet Assembly :**

Screwed Bonnet Design

Back Seat Blow Out proof

Spindle - Ground and thread rolled, packing below the threads

Spindle Tip - Non-Rotating tip shut-of type & soft Seated



\*For any other material / size combinations, please contact the sales department.  
 \*All specifications are subject to change without notice  
 \*All sales subject to standard terms and conditions.

**Magwell LLC**

537 Cajundome Boulevard, Suite 111  
 Lafayette LA 70506, USA  
 info@magwellus.com  
 (888) 624-9355





- Square Body Type, Female - Female Connection
- SS 316/316L Bar stock construction
- Standard Working Pressure 6,000 PSI with PTFE packing.
- Optional 10,000, 15,000 & 20,000 PSI available on request
- Grafoil offered for higher temperatures.
- Standard NPT End Connections.
- Heat Code Traceability.
- NACE MR-01-75 Compliant materials available on request.
- 3.1 Certificates furnished.
- PMI certificates available on request.

**Optional Materials Available :**

SS 316L, Hastelloy C276, Monel

**Temperature Rating :**

PTFE 450°F (232°C) Grafoil 700°F (371°C)

**Body :** Normal Body Type

**Inlet :** FNPT

**Outlet :** FNPT

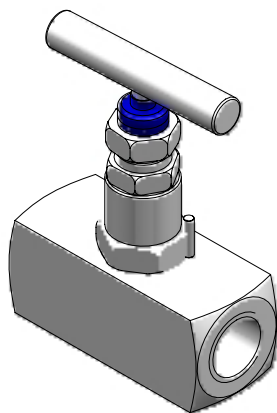
**Bonnet Assembly :**

Screwed Bonnet Design

Back Seat Blow Out proof

Spindle - Ground and thread rolled, packing below the threads

Spindle Tip - Non-Rotating tip shut-of type & soft Seated



Model	Valve Size	Orifice Dia in mm
MNV-SB-FF-1	1/4"	10
MNV-SB-FF-2	3/8"	10
MNV-SB-FF-3	1/2"	11
MNV-SB-FF-4	3/4"	16
MNV-SB-FF-5	1"	16

\*For any other material / size combinations, please contact the sales department.

\*All specifications are subject to change without notice

\*All sales subject to standard terms and conditions.

**Magwell LLC**

537 Cajundome Boulevard, Suite 111

Lafayette LA 70506, USA

info@magwellus.com

(888) 624-9355





- Square Body Type, Male - Female Connection
- SS 316/316L Bar stock construction
- Standard Working Pressure 6,000 PSI with PTFE packing.
- Optional 10,000, 15,000 & 20,000 PSI available on request
- Grafoil offered for higher temperatures.
- Standard NPT End Connections.
- Heat Code Traceability.
- NACE MR-01-75 Compliant materials available on request.
- 3.1 Certificates furnished.
- PMI certificates available on request.

**Optional Materials Available :**

SS 316L, Hastelloy C276, Monel

**Temperature Rating :**

PTFE 450°F (232°C) Grafoil 700°F (371°C)

**Body :** Normal Body Type

**Inlet :** MNPT

**Outlet :** FNPT

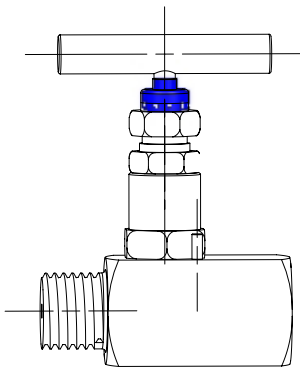
**Bonnet Assembly :**

Screwed Bonnet Design

Back Seat Blow Out proof

Spindle - Ground and thread rolled, packing below the threads

Spindle Tip - Non-Rotating tip shut-of type & soft Seated



Model Valve	Size	Orifice Dia in mm
MNV-SB-MF-1	1/4"	10
MNV-SB-MF-2	3/8"	10
MNV-SB-MF-3	1/2"	11
MNV-SB-MF-4	3/4"	16
MNV-SB-MF-5	1"	16

\*For any other material / size combinations, please contact the sales department.

\*All specifications are subject to change without notice

\*All sales subject to standard terms and conditions.

**Magwell LLC**

537 Cajundome Boulevard, Suite 111

Lafayette LA 70506, USA

info@magwellus.com

(888) 624-9355





- Square Body Type with Vent, Male - Female Connection
- SS 316/316L Bar stock construction
- Standard Working Pressure 6,000 PSI with PTFE packing.
- Optional 10,000, 15,000 & 20,000 PSI available on request
- Grafoil offered for higher temperatures.
- Standard NPT End Connections.
- Heat Code Traceability.
- NACE MR-01-75 Compliant materials available on request.
- 3.1 Certificates furnished.
- PMI certificates available on request.

**Optional Materials Available :**

SS 316L, Hastelloy C276, Monel

**Temperature Rating :**

PTFE 450°F (232°C) Grafoil 700°F (371°C)

**Body :** Normal Body Type

**Inlet :** MNPT

**Outlet :** FNPT

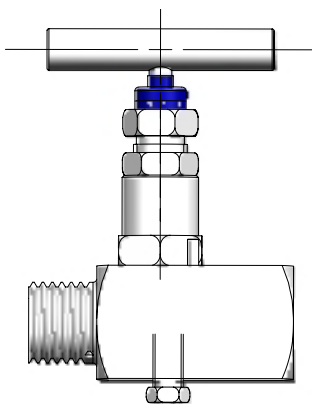
**Bonnet Assembly :**

Screwed Bonnet Design

Back Seat Blow Out proof

Spindle - Ground and thread rolled, packing below the threads

Spindle Tip - Non-Rotating tip shut-of type & soft Seated



Model	Valve Size	Orifice Dia in mm
MNV-SB-MFV-1	1/4"	10
MNV-SB-MFV-2	3/8"	10
MNV-SB-MFV-3	1/2"	11
MNV-SB-MFV-4	3/4"	16
MNV-SB-MFV-5	1"	16

\*For any other material / size combinations, please contact the sales department.  
 \*All specifications are subject to change without notice  
 \*All sales subject to standard terms and conditions.

**Magwell LLC**

537 Cajundome Boulevard, Suite 111  
 Lafayette LA 70506, USA  
 info@magwellus.com  
 (888) 624-9355



- T Type Needle Valve, Male - Female Connection
- SS 316/316L Bar stock construction
- Standard Working Pressure 10,000 PSI with PTFE packing.
- Standard End Connections 1/2".
- Grafoil offered for higher temperatures.
- Standard NPT End Connections.
- Heat Code Traceability.
- NACE MR-01-75 Compliant materials available on request.
- 3.1 Certificates furnished.
- Vent Plugs or Bleed Valves provided on request.
- PMI certificates available on request.

#### Optional Materials Available :

SS 316L, Hastelloy C276, Monel

#### Temperature Rating :

PTFE 450°F (232°C) Grafoil 700°F (371°C)

**Body :** Normal Body Type

**Inlet :** MNPT

**Outlet :** FNPT

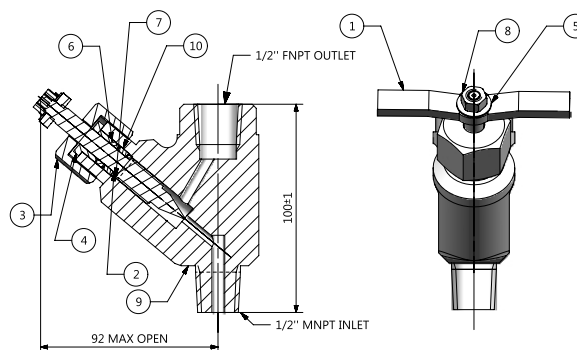
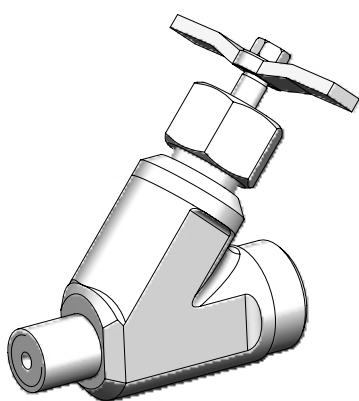
#### Bonnet Assembly :

Screwed Bonnet Design

Back Seat Blow Out proof

Spindle - Ground and thread rolled, packing below the threads

Spindle Tip - Non-Rotating tip shut-of type & soft Seated



\*For any other material / size combinations, please contact the sales department.

\*All specifications are subject to change without notice

\*All sales subject to standard terms and conditions.

#### Magwell LLC

537 Cajundome Boulevard, Suite 111

Lafayette LA 70506, USA

info@magwellus.com

(888) 624-9355